

F9100 Extended Temperature Single Stage Single Phase Filters

RoHS



Features

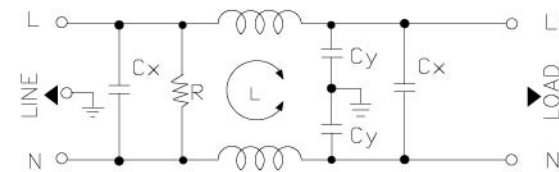
Extended temperature single phase power line filters for dynamic and high ambient environments.

Typical Applications

Applications at high ambient temperature environments or with limited temperature rise requirements.

Technical Data

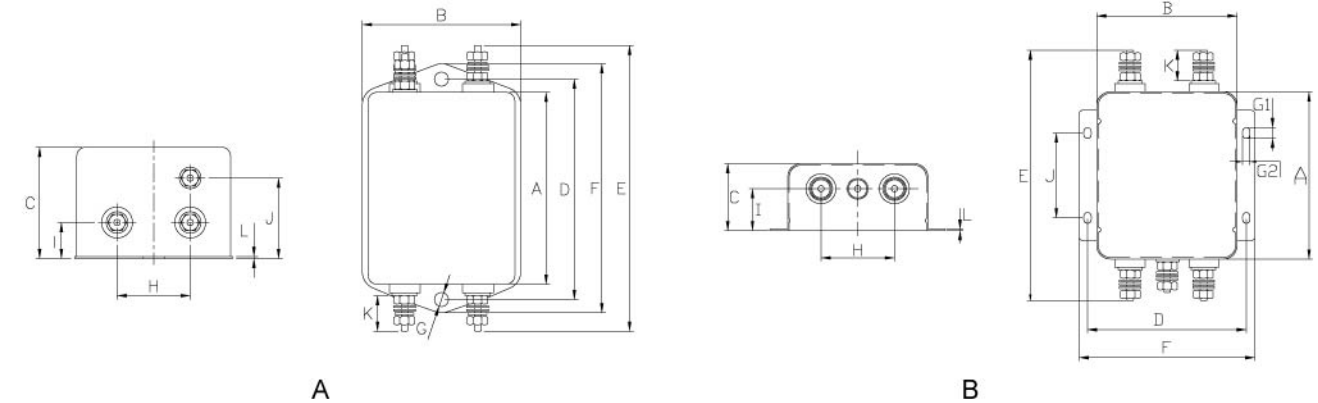
Rated Voltage Max. (V)	250 VAC / 400 VDC	Leakage Current F9100 Series	
Rated Current (A)	5-35 A	@ 250 VAC 50 Hz	0.89 mA Max.
Operating Frequency (Hz)	50 / 60 / 400 Hz	@ 115 VAC 60 Hz	0.49 mA Max.
Hipot Rating		Operating temp	- 40 to 85°C
Line to Line	1450 VDC		
Line to Ground	2250 VDC		
Case	Plated steel		
Packaging Quantity	60/12 pcs per carton		



F9100 - Electrical Schematic

Model No.	Rated Current (A) @ 80°C	L / N Termination / terminals	Ground Termination / Terminals	Mechanical Diagram
F9100.00511.00	5 A	M4	M4	A
F9100.01011.00	10 A	M4	M4	A
F9100.02011.00	20 A	M4	M4	B
F9100.03011.00	30 A	M6/10-32	M6/10-32	B
F9100.03511.00	35 A	M6/10-32	M6/10-32	B

F9100 Mechanical Outlines



F9100 Mechanical Dimensions (mm) For reference only

Model No.	A	B	C	D	E	F	G	H	I	J	K
F9100.00511.00	62.5	52.0	38.0	75.0	87.5	85.0	4.8	25.0	12.3	27.5	8.5
F9100.01011.00	62.5	52.0	38.0	75.0	87.5	85.0	4.8	25.0	12.3	27.5	8.5
F9100.02011.00	100.0	84.0	40.0	95.0	150.6	105.0	4-Φ4.5*6.5	44.0	25.0	50.8	20.5
F9100.03011.00	100.0	84.0	40.0	95.0	150.6	105.0	4-Φ4.5*6.5	44.0	25.0	50.8	20.5
F9100.03511.00	100.0	84.0	40.0	95.0	150.6	105.0	4-Φ4.5*6.5	44.0	25.0	50.8	20.5

All dimensions in mm, 1 inch=25.4 mm

Insertion Loss in dB Measured in a 50Ω System

Model No.	Common Mode IL (Frequencies in MHz)								
	0.05	0.1	0.15	0.5	1.0	5.0	10.0	30.0	
F9100.00511.00	16.0	21.0	25.0	37.0	45.0	45.0	45.0	40.0	
F9100.01011.00	13.0	19.0	23.0	35.0	43.0	43.0	43.0	40.0	
F9100.02011.00	10.0	16.0	19.0	31.0	40.0	40.0	40.0	40.0	
F9100.03011.00	8.0	13.0	17.0	28.0	38.0	38.0	38.0	35.0	
F9100.03511.00	5.0	10.0	13.0	25.0	34.0	34.0	34.0	30.0	

Model No.	Differential Mode IL (Frequencies in MHz)								
	0.05	0.1	0.15	0.5	1.0	5.0	10.0	30.0	
F9100 Series	5.0	10.0	13.0	23.0	30.0	35.0	35.0	35.0	

Other specifications, requirements and customizations can be offered upon request.