

095/02 Washing Machine Filters

RoHS



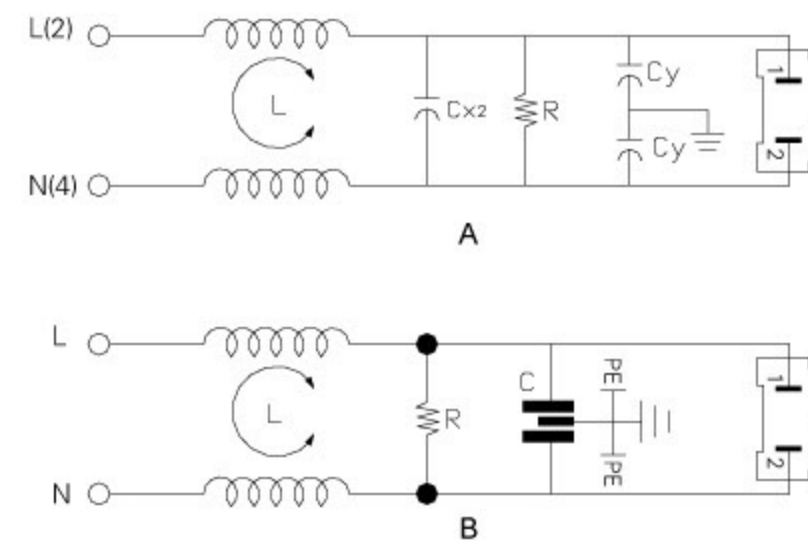
Features

Small, compact power line filters with very high voltage withstanding.

Typical Applications

Top load and front load washing machines.

Technical Data

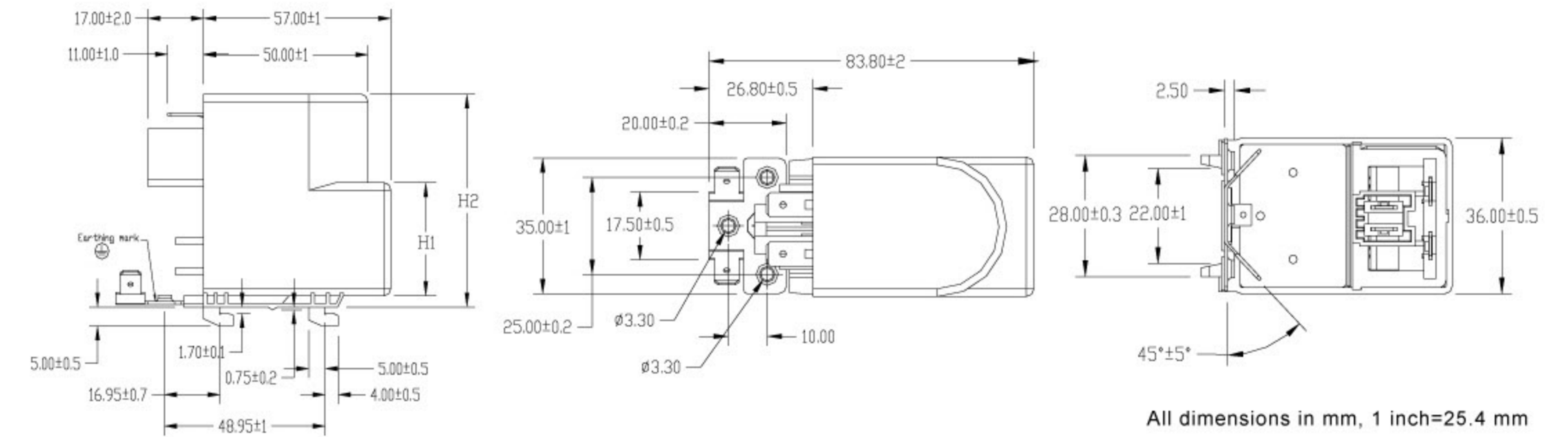


095/02 - Electrical Schematic

Rated Voltage	250 VAC Max.	Leakage Current	
Rated Current	10-16 A @ 40°C	@ 250 VAC 50 Hz	0.89 mA Max./ 2.08 mA Max.
Operating Frequency	50/60 Hz	@ 115 VAC 60 Hz	0.49 mA Max./ 1.15 mA Max.
Hipot Rating		IP Standard IP	68
Line to Line	1450 VDC	Climatic category	25/85/21
Line to Ground	2250 VDC		
Case	Plastic		

Model No.	Rated Current @ 40°C	L (mH)	Cx (uF)	Cy (nF)	Dimension		R (Ω)	Schematic	Unit Weight (g)	Terminal Options	
					H1(mm)	H2(mm)				In	Out
095.20603.00	6.0	1.8	1.00	NA	16.5	40.0	0.47M	B	150.0	Faston 6.35*0.8	Faston 6.35*0.8
095.21001.00	10.0	2.0	1.00	2.2	16.5	40.0	0.47M	B	150.0	Faston 6.35*0.8	Faston 6.35*0.8
095.21201.00	12.0	1.0	0.68	22	16.5	40.0	0.47M	B	180.0	Faston 6.35*0.8	Faston 6.35*0.8
095.21202.00	12.0	1.0	0.47	22	16.5	40.0	0.47M	B	180.0	Faston 6.35*0.8	Faston 6.35*0.8
095.21601.00	16.0	3.0	1.00	2.2	30.0	56.5	0.47M	A	220.0	Faston 6.35*0.8	Faston 6.35*0.8
095.21603.00	16.0	3.0	1.00	2.2	30.0	56.5	0.33M	B	220.0	Faston 6.35*0.8	Faston 6.35*0.8

095/02 Mechanical Outlines For reference only



Insertion Loss in dB Measured in a 50Ω System

Model No.	Common Mode IL (Frequencies in MHz)							
	0.05	0.1	0.15	0.5	1.0	5.0	10.0	30.0
095.20603.00	30.0	30.0	35.0	30.0	30.0	35.0	35.0	40.0
095.21001.00	30.0	33.0	35.0	29.0	35.0	55.0	45.0	45.0
095.21201.00	30.0	35.0	40.0	40.0	35.0	35.0	35.0	45.0
095.21202.00	35.0	30.0	35.0	35.0	30.0	30.0	30.0	40.0
095.21601.00	28.0	33.0	35.0	29.0	35.0	55.0	52.0	52.0
095.21602.00	28.0	33.0	35.0	29.0	35.0	55.0	52.0	52.0

Model No.	Differential Mode IL (Frequencies in MHz)							
	0.05	0.1	0.15	0.5	1.0	5.0	10.0	30.0
095.20603.00	10.0	15.0	20.0	30.0	35.0	40.0	45.0	40.0
095.21001.00	20.0	22.0	26.0	37.0	42.0	52.0	42.0	50.0
095.21201.00	15.0	20.0	24.0	34.0	40.0	52.0	42.0	49.0
095.21202.00	12.0	17.0	20.0	30.0	35.0	52.0	42.0	45.0
095.21601.00	17.0	23.0	27.0	37.0	43.0	54.0	52.0	52.0
095.21602.00	17.0	23.0	27.0	37.0	43.0	54.0	52.0	52.0

Other specifications, requirements and customizations can be provided upon request.