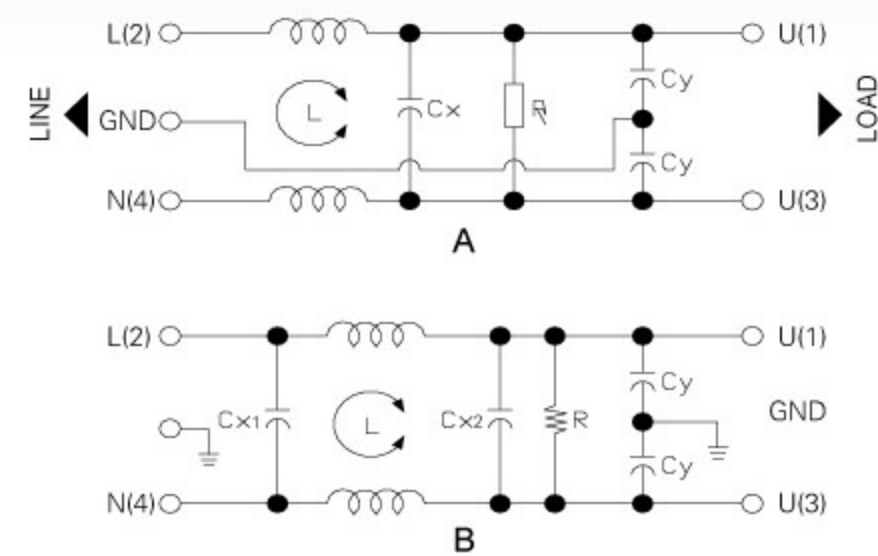
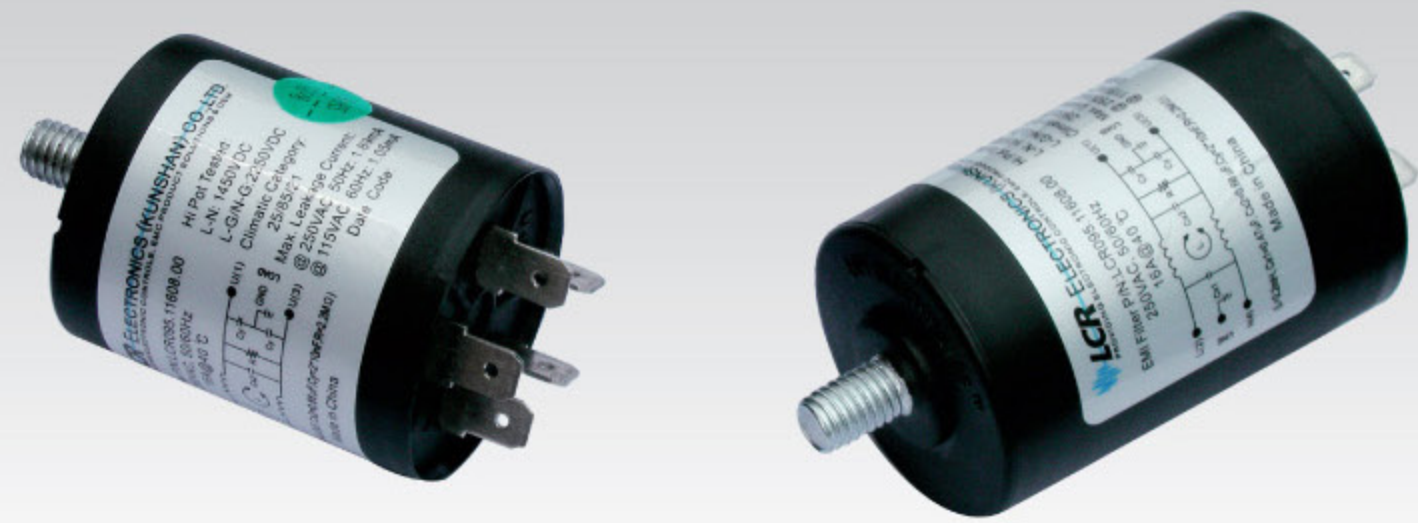


# 095/01 General Purpose White Goods Filters

RoHS



095/01 - Electrical Schematic

## Features

General purpose white goods filters.

## Typical Applications

Washing machines, vacuum cleaners and other general white goods.

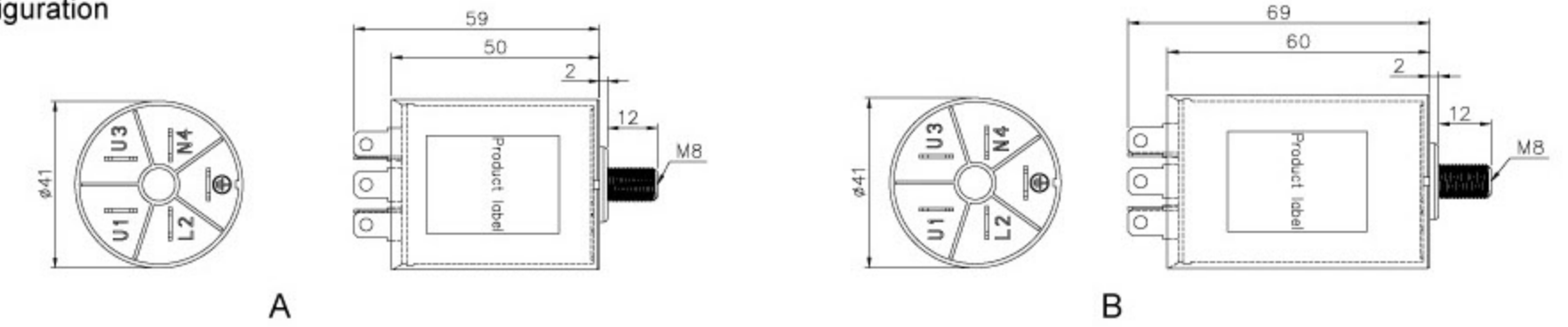
## Technical Data

Rated Voltage	250 VAC Max.	Leakage Current 095/01 Series	
Rated Current	10-16 A @ 40°C	@ 250 VAC 50 Hz	0.89 mA Max. / 1.89 mA Max.
Operating Frequency	50/60 Hz	@ 115 VAC 60 Hz	0.49 mA Max. / 1.05 mA Max.
Hipot Rating		IP Standard	53
Line to Line	1450 VDC	Climatic category	25/85/21
Line to Ground	2250 VDC		
Case :	Plastic		

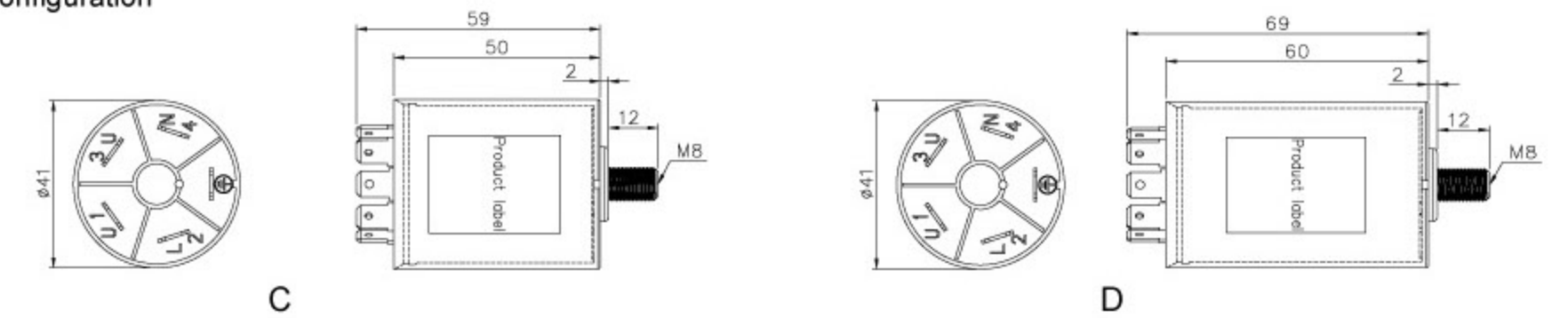
Model No.	Rated Current @ 40°C	L (mH)	Cx1 (uF)	Cx2 (uF)	Cy (nF)	R (Ω)	Schematic	Mechanical Diagram	Unit Weight (g)	Terminal Options	
										In	Out
095.11002.00-A/C/E	10.0	3.0	NA	0.47	3.3	0.68M	A	A/C/E	95.0	Faston 6.35*0.8	Faston 6.35*0.8
095.11003.00-A/C/E	10.0	3.0	NA	0.47	4.7	0.68M	A	A/C/E	95.0	Faston 6.35*0.8	Faston 6.35*0.8
095.11005.00-A/C/E	10.0	3.0	NA	0.47	10.0	0.68M	A	A/C/E	95.0	Faston 6.35*0.8	Faston 6.35*0.8
095.11203.00-A/C/E	12.0	2.0	NA	0.47	4.7	0.68M	A	A/C/E	100.0	Faston 6.35*0.8	Faston 6.35*0.8
095.11205.00-A/C/E	12.0	2.0	NA	0.47	10.0	0.68M	A	A/C/E	100.0	Faston 6.35*0.8	Faston 6.35*0.8
095.11601.00-A/C/E	16.0	2.0	NA	0.47	2.2	0.68M	A	A/C/E	110.0	Faston 6.35*0.8	Faston 6.35*0.8
095.11603.00-A/C/E	16.0	1.0	NA	0.47	4.7	0.68M	A	A/C/E	110.0	Faston 6.35*0.8	Faston 6.35*0.8
095.11605.00-A/C/E	16.0	1.0	NA	0.47	10.0	0.68M	A	A/C/E	110.0	Faston 6.35*0.8	Faston 6.35*0.8
095.11606.00-A/C/E	16.0	0.5	NA	0.47	10.0	0.68M	A	A/C/E	110.0	Faston 6.35*0.8	Faston 6.35*0.8
095.11608.00-B/D/F	16.0	2.2	0.47	0.68	10.0	2.20M	B	B/D/F	110.0	Faston 6.35*0.8	Faston 6.35*0.8

## 095/01 Mechanical Outlines For reference only

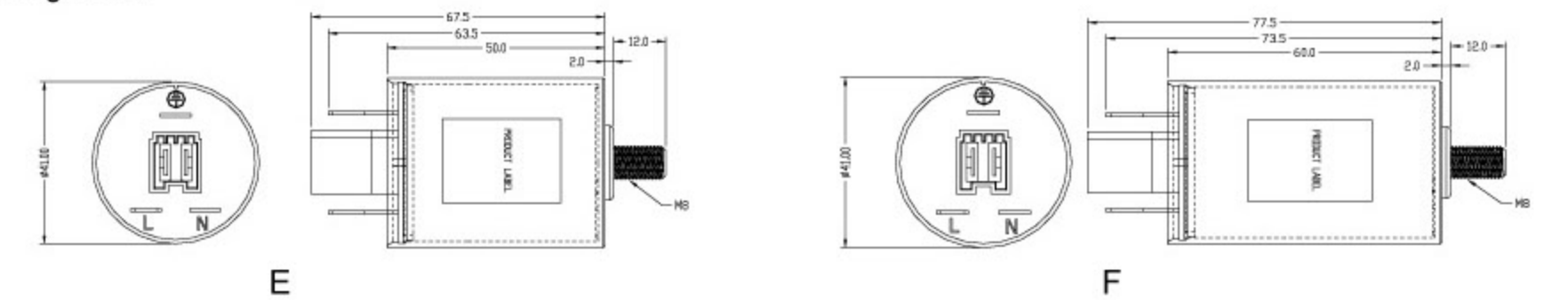
### 1. 90° Terminal configuration



### 2. Round Terminal configuration



### 3. Rust-5 Terminal configuration



All dimensions in mm, 1 inch=25.4 mm

## Insertion Loss in dB Measured in a 50Ω System

Model No.	Common Mode IL (Frequencies in MHz)							
	0.05	0.1	0.15	0.5	1.0	5.0	10.0	30.0
095.11002.00-A/C/E	15.0	20.0	25.0	37.0	45.0	45.0	45.0	42.0
095.11003.00-A/C/E	15.0	20.0	25.0	37.0	45.0	45.0	45.0	42.0
095.11005.00-A/C/E	15.0	20.0	25.0	37.0	45.0	45.0	45.0	42.0
095.11203.00-A/C/E	15.0	18.0	23.0	35.0	43.0	43.0	43.0	42.0
095.11205.00-A/C/E	15.0	18.0	23.0	35.0	43.0	43.0	43.0	42.0
095.11601.00-A/C/E	12.0	18.0	21.0	32.0	42.0	42.0	42.0	42.0
095.11603.00-A/C/E	12.0	18.0	21.0	32.0	42.0	42.0	42.0	42.0
095.11605.00-A/C/E	12.0	18.0	21.0	32.0	42.0	42.0	42.0	42.0
095.11606.00-A/C/E	12.0	18.0	21.0	32.0	42.0	42.0	42.0	42.0
095.11608.00-B/D/F	20.0	28.0	30.0	35.0	50.0	55.0	55.0	45.0

Model No.	Differential Mode IL (Frequencies in MHz)							
	0.05	0.1	0.15	0.5	1.0	5.0	10.0	30.0
Schematic A	2.0	5.0	8.0	17.0	23.0	35.0	35.0	30.0
Schematic B	7.0	10.0	13.0	23.0	28.0	40.0	40.0	35.0

Other specifications, requirements and customizations can be provided upon request.