

091/091M High Performance Single Phase Single Stage General Purpose and Medical Type Filters



091 Series

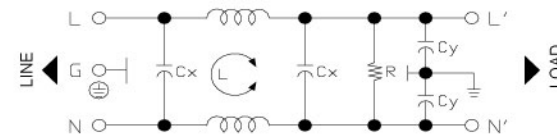
High Performance Single Phase Filters

Features

High performances, single phase, general purpose power line filter with faston / stud / wire terminals.

Typical Applications

Single phase Industrial equipment, power supply systems and controls, communication system.



091 - Electrical Schematic

091M Series

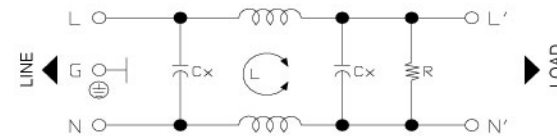
Low Leakage Current High Performance Single Phase Filters

Features

Low leakage current, high performances, single phase general purpose power line filter with faston / stud / wire terminals.

Typical Applications

Medical type equipment, sensitive power supply and controls, communication system.



091M - Electrical Schematic

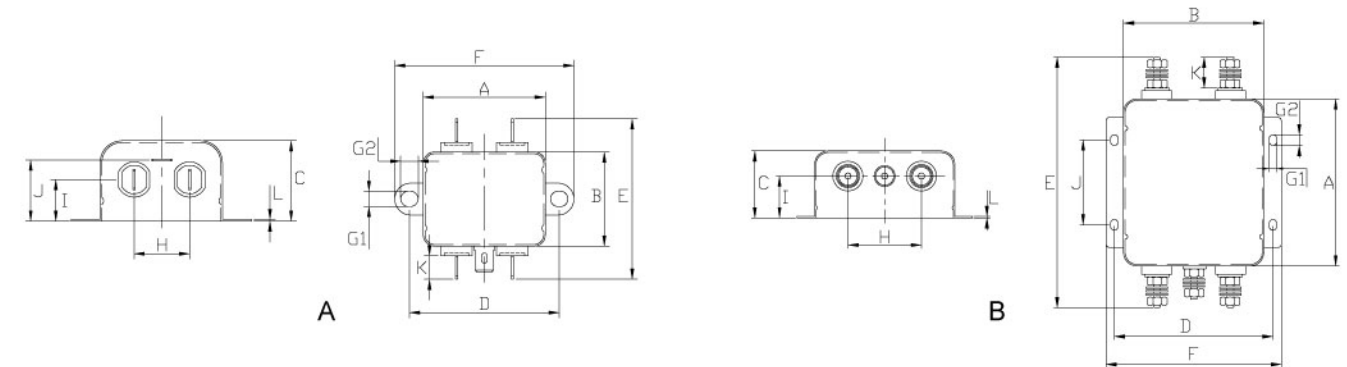
Technical Data

Rated Voltage Max. (V)	250VAC	Leakage Current 091 Series	
Rated Current (A)	1 - 40A @ 40°C	@ 250 VAC 50 Hz	0.42 mA Max.
Operating Frequency (Hz)	50 / 60Hz	@ 115 VAC 60 Hz	0.23 mA Max.
Hipot Rating		Leakage Current 091M Series	
Line to Line	1450V DC	@ 250 VAC 50 Hz	10µA Max.
Line to Ground	2250V DC	@ 115 VAC 60 Hz	5µA Max.
Case	Plated steel	IP Standard	65
Packaging Quantity	108/50/16 pcs per carton	Climatic category	25 / 85 / 21

091 Model No.	091M Model No.	Rated Current @ 40°C	Mechanical Diagram	Unit Weight (g)	Terminal Options	
					In	Out
091.00101.00	091M.00101.00	1.0	A	80.0	Faston 6.35*0.8 / M4	Faston 6.35*0.8 / M4
091.00301.00	091M.00301.00	3.0	A	84.0	Faston 6.35*0.8 / M4	Faston 6.35*0.8 / M4
091.00601.00	091M.00601.00	6.0	A	88.0	Faston 6.35*0.8 / M4	Faston 6.35*0.8 / M4
091.01001.00	091M.01001.00	10.0	A	151.0	Faston 6.35*0.8 / M4	Faston 6.35*0.8 / M4
091.01501.00	091M.01501.00	15.0	A	160.0	Faston 6.35*0.8 / M4	Faston 6.35*0.8 / M4
091.02001.00	091M.02001.00	20.0	A	160.0	Faston 6.35*0.8 / M4	Faston 6.35*0.8 / M4
091.02501.00	091M.02501.00	25.0	B	701.0	M4 / M6	M4 / M6
091.03001.00	091M.03001.00	30.0	B	742.0	M6	M6
091.04001.00	091M.04001.00	40.0	B	759.0	M6	M6

Please mark terminal type at the end of the P/N when ordering or inquiring

091 / 091M Mechanical Outlines



091 / 091M Mechanical Dimensions (mm)

For reference only

Model No.	Model No.	A	B	C	D	E	F	G	H	I	J	K
091.00101.00	091M.00101.00	44.0	33.0	29.0	54.0	56.8	64.0	2-Φ5.3*6.3	20.0	15.0	22.0	8.5
091.00301.00	091M.00301.00	44.0	33.0	29.0	54.0	56.8	64.0	2-Φ5.3*6.3	20.0	15.0	22.0	8.5
091.00601.00	091M.00601.00	44.0	33.0	29.0	54.0	56.8	64.0	2-Φ5.3*6.3	20.0	15.0	22.0	8.5
091.01001.00	091M.01001.00	51.0	52.0	29.0	61.0	75.8	71.0	2-Φ5.3*6.3	20.0	14.0	22.0	8.5
091.01501.00	091M.01501.00	51.0	52.0	29.0	61.0	75.8	71.0	2-Φ5.3*6.3	20.0	14.0	22.0	8.5
091.02001.00	091M.02001.00	51.0	52.0	29.0	61.0	75.8	71.0	2-Φ5.3*6.3	20.0	14.0	22.0	8.5
091.02501.00	091M.02501.00	100.0	84.0	40.0	95.0	150.6	105.0	4-Φ4.5*6.5	44.0	25.0	50.8	20.5
091.03001.00	091M.03001.00	100.0	84.0	40.0	95.0	150.6	105.0	4-Φ4.5*6.5	44.0	25.0	50.8	20.5
091.04001.00	091M.04001.00	100.0	84.0	40.0	95.0	150.6	105.0	4-Φ4.5*6.5	44.0	25.0	50.8	20.5

All dimensions in mm, 1 inch=25.4 mm

Insertion Loss in dB Measured in a 50Ω System

Model No.	Common Mode IL (Frequencies in MHz)								Model No.	Common Mode IL (Frequencies in MHz)							
	0.05	0.1	0.15	0.5	1.0	5.0	10.0	30.0		0.05	0.1	0.15	0.5	1.0	5.0	10.0	30.0
091.00101.00	21.0	27.0	31.0	43.0	52.0	52.0	50.0	50.0	091M.00101.00	21.0	27.0	31.0	41.0	48.0	50.0	50.0	45.0
091.00301.00	21.0	25.0	29.0	41.0	50.0	50.0	50.0	50.0	091M.00301.00	21.0	27.0	31.0	41.0	48.0	50.0	50.0	45.0
091.00601.00	16.0	21.0	25.0	37.0	45.0	45.0	45.0	40.0	091M.00601.00	16.0	21.0	25.0	35.0	42.0	40.0	40.0	40.0
091.01001.00	13.0	19.0	23.0	35.0	43.0	43.0	43.0	40.0	091M.01001.00	13.0	19.0	22.0	33.0	39.0	35.0	35.0	35.0
091.01501.00	10.0	16.0	19.0	31.0	40.0	40.0	40.0	40.0	091M.01501.00	10.0	16.0	19.0	29.0	35.0	30.0	30.0	30.0
091.02001.00	10.0	16.0	19.0	31.0	40.0	40.0	40.0	40.0	091M.02001.00	10.0	16.0	19.0	29.0	35.0	30.0	30.0	30.0
091.02501.00	8.0	13.0	17.0	28.0	38.0	38.0	38.0	35.0	091M.02501.00	8.0	13.0	16.0	27.0	33.0	30.0	30.0	30.0
091.03001.00	8.0	13.0	17.0	28.0	38.0	38.0	38.0	35.0	091M.03001.00	5.0	10.0	13.0	23.0	30.0	28.0	28.0	28.0
091.04001.00	5.0	10.0	13.0	25.0	34.0	34.0	34.0	30.0	091M.04001.00	5.0	10.0	13.0	23.0	30.0	28.0	28.0	28.0

- Line to ground capacitors are available up to 4,700 pF.
- Other specifications, requirements and customizations can be offered upon request.