

056 Feed Through Filters

RoHS

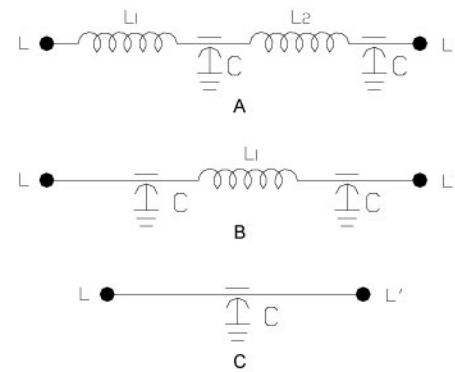


Features

High reliability, feed through filters provide high insertion loss over a broad band of frequencies from KHz to GHz frequency range.

Typical Applications

Shielded facilities, base stations, MRI rooms, telecommunications systems, servers, switch mode power supply and more. These feed through filters are available with various mounting bushing and all types of terminals.



056 - Electrical Schematic

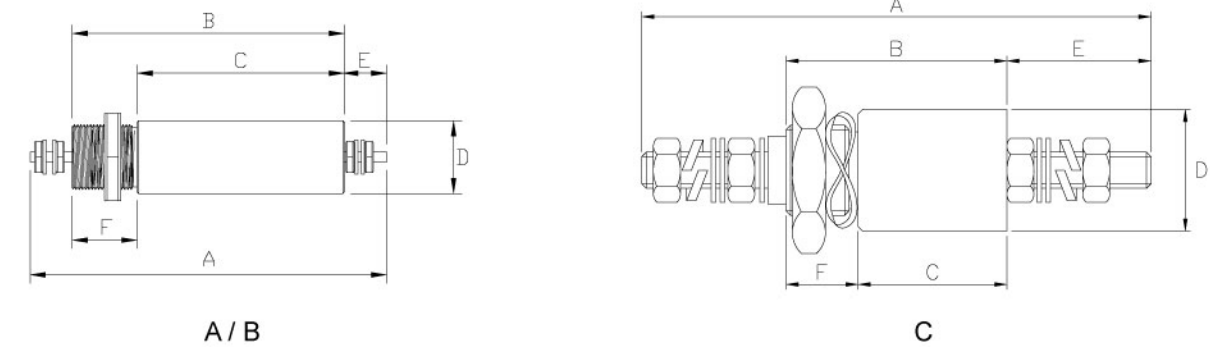
Technical Data

Rated Voltage Max.	Up to 600VAC/ 750VDC
Rated Current (A)	Up to 800A
Operating Frequency (Hz)	50 / 60 / 400Hz
Hipot Rating	1450VDC
Climatic category	25 / 85 / 21
Relevant standard	EN 132400, EN 133200

Model No.	Rated Current @ 40°C	Voltage Rating	Hipot	Leakage Current (mA) @ 250VAC 50Hz	Electrical Diagram	Unit Weight (g)	Terminal Options	
							In	Out
056.00501.00	5.0	600VAC/ 750V DC	2500V DC	37.0	B	157.0	M3 Screw	M3 Screw
056.01601.00	16.0	250VAC/ 440V DC	1400V DC	15.0	B	130.0	M3 Screw	M3 Screw
056.01612.00	16.0	250V AC	2700V DC	18.0	B	157.0	M3 Screw	M3 Screw
056.06001.00	60.0	250V AC	1200V DC	78.0	C	100.0	M6 Screw	M6 Screw
056.10001.00	100.0	130/250V AC	1700V DC	41.0	C	140.0	M8 Screw	M8 Screw

Items are available either in plated steel, plated brass or finished aluminium tubes

056 Mechanical Outlines



056 Mechanical Dimensions (mm) For reference only

Model No.	Mechanical Diagram	A	B	C	D	E	F	Mounting
056.00501.00	B	110.0	84.0	64.0	22.5	13.0	20.0	M20
056.01601.00	B	92.5	66.5	46.5	22.5	13.0	20.0	M20
056.01612.00	B	110.0	84.0	64.0	22.5	13.0	20.0	M20
056.06001.00	C	90.0	42.0	29.0	32.0	22.0	13.0	M20
056.10001.00	C	113.0	49.0	33.0	27.0	32.0	16.0	M20

All dimensions in mm, 1 inch=25.4 mm

Insertion Loss in dB Measured in a 50Ω System

Model No.	Common Mode IL (Frequencies in MHz)							
	0.05	0.1	0.5	1.0	5.0	10.0	100.0	1000.0
056.00501.00	26.0	20.0	16.0	24.0	38.0	45.0	70.0	89.0
056.01601.00	26.0	20.0	16.0	24.0	38.0	45.0	70.0	89.0
056.01612.00	25.0	19.0	20.0	25.0	40.0	46.0	65.0	90.0
056.06001.00	12.0	19.0	34.0	38.0	53.0	58.0	83.0	100.0
056.10001.00	10.0	15.0	30.0	30.0	50.0	50.0	80.0	100.0

Other specifications, requirements and customizations can be offered upon request.